

# 0 601 27A 3F0 – GBG 35-15

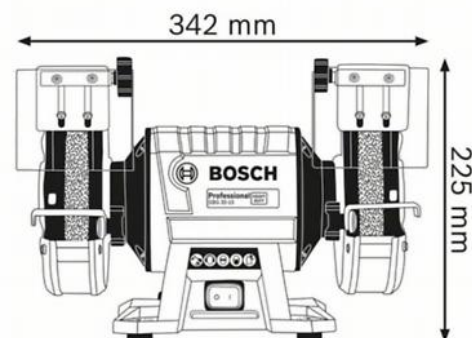
Material number	0 601 27A 3F0
EAN	3165140893398
Grinding wheel, normal grit, grit 24	✓
Grinding wheel, normal grit, grit 60	✓



## Technical data

### Technical data

Grinding wheel diameter	150 mm
No-load speed	3.000 rpm
Grinding wheel widths	20 mm
Grinding wheel bore	20 mm
Grit	24 60
Rated input power	350 W
Weight	10,0 kg
Tool dimensions (width)	175 mm
Tool dimensions (length)	325 mm
Tool dimensions (height)	200 mm
Product category subdivision	Double-Wheeled Bench Grinder



### Noise/vibration information

Sound pressure level	70 dB(A)
Sound power level	80 dB(A)
Uncertainty K	3 dB
Noise level	The A-rated noise level of the power tool is typically as follows: Sound pressure level 70 dB(A); Sound power level 80 dB(A). Uncertainty K= 3 dB.

## Sales information

---

### Positioning

- Heavy-duty, 350 W motor, double-wheeled bench grinder tackles the toughest jobs

### User benefit

- Powerful, 350 W maintenance-free induction motor for superior grinding, deburring and sharpening jobs
- Robust, die-cast aluminium housing with encapsulated ball bearings keeps the motor dust free for durable performance
- Solid base ensures safe, stable working conditions
- Includes tool-free, adjustable workpiece supports, steel protective guards, and spark protective covers